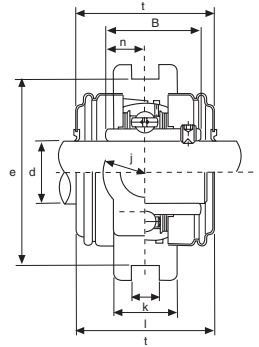
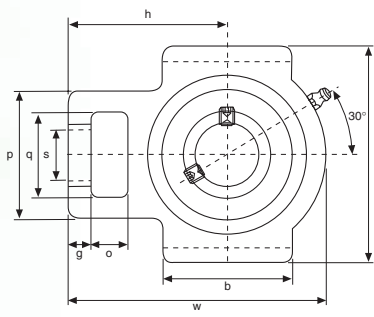
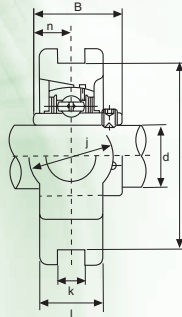
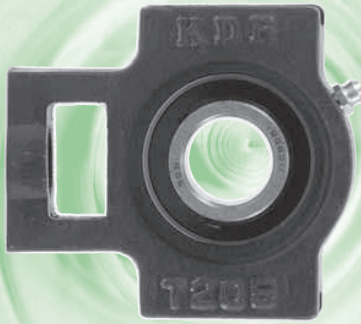




UCT2 Serie normale Normal Series



Tipo Type	Dimensioni mm/pollici Dimensions mm/inch																	Coefficients di carico (N) Load ratings (N)		Cuscinetto Bearing	Supporto Housing	Peso Weight (kg)
	d	o	g	p	q	s	b	k	e	a	w	j	l	h	t	B	n	Dinamico C Dynamic C ₀	Statico C ₀ Static C ₀			
UCT201 UCT201-8	12 3/4	16 5/8	10 25/64	51 1 1/4	32 1 1/4	19 3/4	51 2 1/4	12 15/32	76 2 63/64	89 3 1/2	94 3 11/16	32 1 1/4	24 1 5/16	61 2 13/32	44,5 1 3/4	31 1,2205	12,7 0,500	12 200	6 350	UC201 UC201-8	T204	0,80 0,79
UCT202 UCT202-9 UCT202-10	15 9/16 5/8	16 5/8	10 25/64	51 1 1/4	32 1 1/4	19 3/4	51 2 1/4	12 15/32	76 2 63/64	89 3 1/2	94 3 11/16	32 1 1/4	24 1 5/16	61 2 13/32	44,5 1 3/4	31 1,2205	12,7 0,500	12 200	6 350	UC202 UC202-9 UC202-10	T204	0,79 0,79 0,79
UCT203 UCT203-11	17 1 1/16	16 5/8	10 25/64	51 1 1/4	32 1 1/4	19 3/4	51 2 1/4	12 15/32	76 2 63/64	89 3 1/2	94 3 11/16	32 1 1/4	24 1 5/16	61 2 13/32	44,5 1 3/4	31 1,2205	12,7 0,500	12 200	6 350	UC203 UC203-11	T204	0,78 0,77
UCT204 UCT204-12	20 3/4	16 5/8	10 25/64	51 1 1/4	32 1 1/4	19 3/4	51 2 1/4	12 15/32	76 2 63/64	89 3 1/2	94 3 11/16	32 1 1/4	24 1 5/16	61 2 13/32	44,5 1 3/4	31 1,2205	12,7 0,500	12 200	6 350	UC204 UC204-12	T204	0,76 0,76
UCT205 UCT205-13 UCT205-14 UCT205-15 UCT205-16	25 1 9/16 7/8 1 5/16 1	16 5/8	10 25/64	51 1 1/4	32 1 1/4	19 3/4	51 2 1/4	12 15/32	76 2 63/64	89 3 1/2	97 3 13/16	32 1 1/4	24 1 5/16	62 2 7/16	48 1 7/8	34,1 1,3425	14,3 0,563	13 300	7 500	UC205 UC205-13 UC205-14 UC205-15 UC205-16	T205	0,81 0,85 0,84 0,82 0,81
UCT206 UCT206-17 UCT206-18 UCT206-19 UCT206-20	30 1 1/4 1 1/8 1 3/8 1 1/4	16 5/8	10 25/64	56 27/32	37 1 29/64	22 55/64	57 2 1/4	12 15/32	89 3 1/2	102 4 1/4	113 4 29/64	37 1 29/64	28 1 3/32	70 2 3/4	53 2 3/32	38,1 1,5000	15,9 0,626	18 600	10 800	UC206 UC206-17 UC206-18 UC206-19 UC206-20	T206	1,22 1,23 1,24 1,22 1,21
UCT207 UCT207-20 UCT207-21 UCT207-22 UCT207-23	35 1 1/4 1 9/16 1 3/8 1 7/16	16 5/8	13 33/64	64 2 33/64	37 1 29/64	22 55/64	64 2 33/64	12 15/32	89 3 1/2	102 4 1/4	129 5 1/4	37 1 29/64	30 1 3/16	78 3 5/8	59,5 2 11/32	42,9 1,6890	17,5 0,689	24 500	14 600	UC207 UC207-20 UC207-21 UC207-22 UC207-23	T207	1,44 1,50 1,48 1,44 1,41
UCT208 UCT208-24 UCT208-25	40 1 1/2 1 9/16	19 3/4	16 5/8	83 3 17/64	49 1 15/16	29 1 9/64	83 3 17/64	16 5/8	102 4 1/4	114 4 31/64	144 5 43/64	49 1 15/16	35 1 3/8	89 3 1/2	69 2 23/32	49,2 1,9370	19 0,748	27 700	17 000	UC208 UC208-24 UC208-25	T208	2,40 2,44 2,41
UCT209 UCT209-26 UCT209-27 UCT209-28	45 1 7/8 1 11/16 1 3/4	19 3/4	16 5/8	83 3 17/64	49 1 15/16	29 1 9/64	83 3 17/64	16 5/8	102 4 1/4	117 4 39/64	144 5 43/64	49 1 15/16	35 1 3/8	87 3 27/64	69 2 23/32	49,2 1,9370	19 0,748	31 000	19 500	UC209 UC209-26 UC209-27 UC209-28	T209	2,36 2,46 2,42 2,38
UCT210 UCT210-29 UCT210-30 UCT210-31 UCT210-32	50 1 13/16 1 7/8 1 15/16 2	19 3/4	16 5/8	83 3 17/64	49 1 15/16	29 1 9/64	86 3 17/64	16 5/8	102 4 1/4	117 4 39/64	149 5 55/64	49 1 15/16	35 1 3/8	90 3 35/64	74,5 2 15/16	51,6 2,0315	19 0,748	33 500	22 500	UC210 UC210-29 UC210-30 UC210-31 UC210-32	T210	2,43 2,55 2,50 2,45 2,41
UCT211 UCT211-32 UCT211-33 UCT211-34 UCT211-35	55 2 2 1/16 2 1/8 2 3/16	25 63/64	19 3/4	102 4 1/4	64 2 1/32	35 1 3/8	95 3 3/4	22 55/64	130 5 1/8	146 5 3/4	171 6 47/64	64 2 33/64	41 1 5/8	106 4 11/64	76 3	55,6 2,1890	22,2 0,874	41 500	28 000	UC211 UC211-32 UC211-33 UC211-34 UC211-35	T211	4,11 4,26 4,20 4,15 4,09
UCT212 UCT212-36 UCT212-37 UCT212-38 UCT212-39	60 2 1/4 2 9/16 2 3/8 2 7/16	32 1 17/64	19 3/4	102 4 1/4	64 2 1/32	35 1 3/8	102 4 1/4	22 55/64	130 5 1/8	146 5 3/4	194 7 41/64	64 2 33/64	46 1 13/16	119 4 11/16	89 3 1/2	65,1 2,5630	25,4 1,000	50 000	34 500	UC212 UC212-36 UC212-37 UC212-38 UC212-39	T212	4,97 5,10 5,02 4,95 4,88
UCT213 UCT213-40 UCT213-41	65 2 1/2 2 9/16	32 1 17/64	21 53/64	111 4 3/8	70 2 3/4	41 1 39/64	121 4 49/64	26 1 1/32	151 5 15/16	167 6 37/64	224 8 13/16	70 2 3/4	51 2	137 5 25/64	89 3 1/2	65,1 2,5630	25,4 1,000	54 700	38 000	UC213 UC213-40 UC213-41	T213	6,65 6,74 6,65
UCT214 UCT214-42 UCT214-43 UCT214-44	70 2 7/8 2 11/16 2 3/4	32 1 17/64	21 53/64	111 4 3/8	70 2 3/4	41 1 39/64	121 4 49/64	26 1 1/32	151 5 15/16	167 6 37/64	224 8 13/16	70 2 3/4	46 1 13/16	137 5 25/64	- 2,9370	74,6 1,189	30,2	59 000	42 000	UC214 UC214-42 UC214-43 UC214-44	T214	7,05 7,26 7,16 7,06
UCT215 UCT215-45 UCT215-46 UCT215-47 UCT215-48	75 2 13/16 2 7/8 2 15/16 3	32 1 17/64	21 53/64	111 4 3/8	70 2 3/4	41 1 39/64	121 4 49/64	26 1 1/32	151 5 15/16	167 6 37/64	232 9 1/4	70 2 3/4	48 1 57/64	140 5 33/64	- 3,0630	77,8 1,311	33,3	63 000	47 000	UC215 UC215-45 UC215-46 UC215-47 UC215-48	T215	7,41 7,66 7,55 7,44 7,32
UCT216 UCT216-49 UCT216-50 UCT216-51	80 3 1/16 3 1/8 3 3/16	32 1 17/64	21 53/64	111 4 3/8	70 2 3/4	41 1 39/64	121 4 49/64	26 1 1/32	165 6 1/2	184 7 1/4	235 9 1/4	70 2 3/4	51 2	140 5 33/64	- 3,2520	82,6 1,311	33,3	69 000	51 000	UC216 UC216-49 UC216-50 UC216-51	T216	8,30 8,48 8,35 8,22
UCT217 UCT217-52 UCT217-53 UCT217-55	85 3 1/4 3 9/16 3 7/16	38 1 1/2	29 1 9/64	124 4 7/8	73 2 7/8	48 1 57/64	157 6 3/16	30 1 1/16	173 6 13/16	189 7 51/64	260 10 19/64	73 2 7/8	54 2 1/8	162 6 3/8	- 3,3740	85,7 1,343	34,1	80 000	61 000	UC217 UC217-52 UC217-53 UC217-55	T217	11,00 11,22 11,09 10,80

Disponibile in acciaio inox Supporto: AISI 304 - Cuscinetto: AISI 440C
Disponibile su richiesta con cuscinetto SA (SAT..)

Available stainless steel Housing: AISI 304 - Bearing: AISI 440C
Available under request with SA bearing (SAT..)