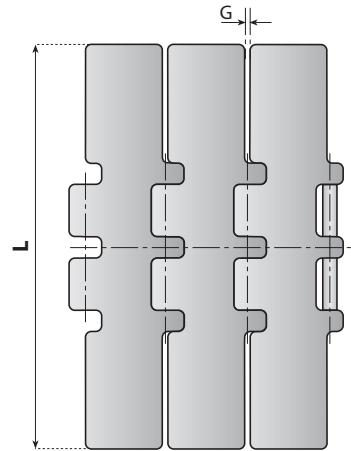
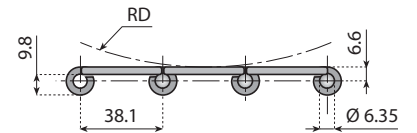
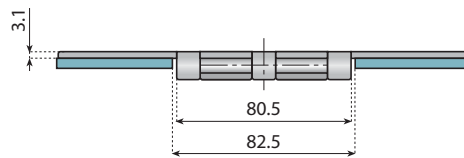


800 - 802 - 805

STRAIGHT RUNNING CHAINS DOUBLE HINGE



Advantages:

- Very high strength.
- For heavy duty applications.



Pages 4⇒7



Pages 274⇒277

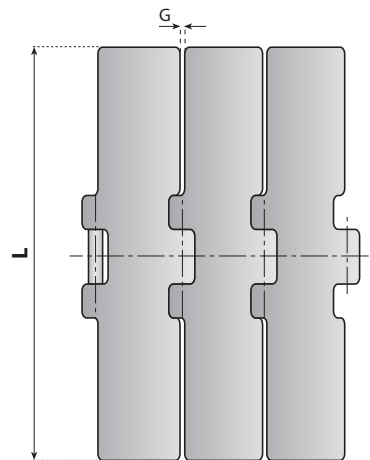
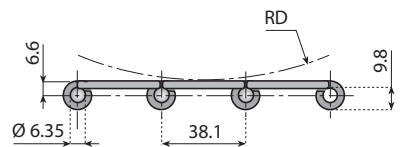
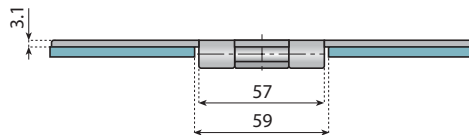
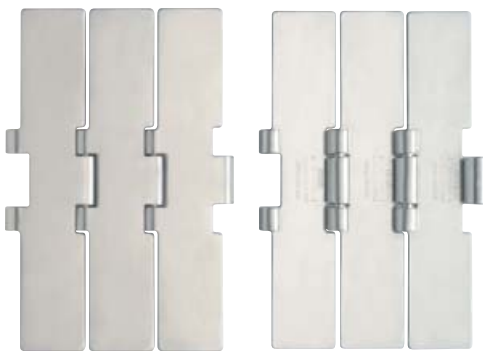


Pages 333⇒337

Chain - Ref.	Code	Material	Max. working load	Finish μm	Width L		G mm	RD mm	Weight Kg/m
					mm	inch			
S 800 K750	10050	C45	28.000	not applicable	190.5	7 ½	1.8	150	5.8
SR 800 K750	10060						2.8	75	5.7
SS 802 K750	10051	STANDARD	10.300	0.6			1.8	150	5.8
SSR 802 K750	10061						2.8	75	5.7
SSE 805 K750	10052	EXTRA PLUS	15.000	0.3			1.8	150	5.8
SSER 805 K750	10062						2.8	75	5.7
SSE 805 K750 HB	10055	HB	15.000	0.3			1.8	150	5.8
SSA 805 K750	10053	AUSTIC	9.600	0.3			1.8	150	5.8

8157

STRAIGHT RUNNING CHAINS HEAVY DUTY SINGLE HINGE



Advantages:

- High strength
- Helps standardising your conveyor constructions
- Same hinge width available in many chain types, both steel and plastic, also LBP chains and rubber top chains



Pages 4⇒7



Pages 278⇒280



Pages 333⇒337

Chain - Ref.	Code	Material	Max. working load	Finish μm	Width L		G mm	RD mm	Weight Kg/m
					mm	inch			
SSE 8157 K750	10054	EXTRA PLUS	10.400	0.3	190.5	7 ½	1.8	150	5.60
SSE 8157 K750 HB	10059	HB							

Standard length: 80 pitches (10 ft. - 3.048 m)

Breaking Load according to Standard ISO 4348 - DIN 8153