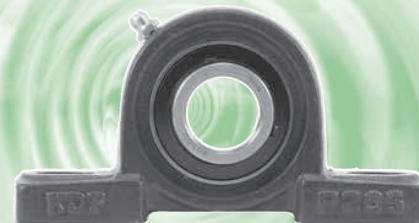
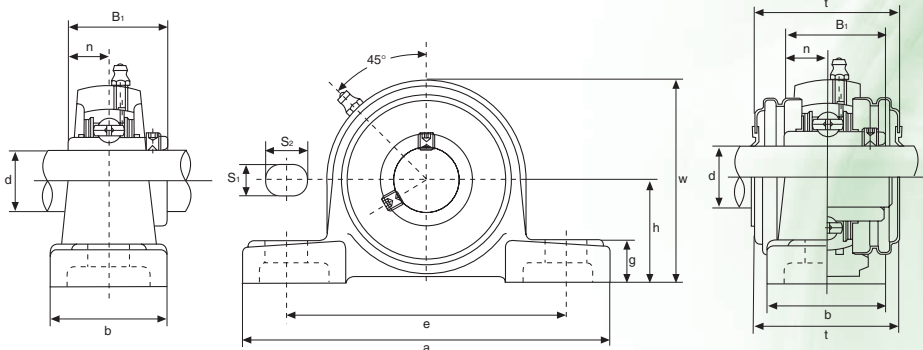




# SUPPORTI RITTI PILLOW BLOCK UNITS



## UCP2 Serie normale Normal Series



Tipo Type	Dimensioni mm/pollici Dimensions mm/inch											Bull. fiss. Bolt Size mm/inch	Coefficients di carico (N) Load ratings (N)		Cuscinetto Bearing	Supporto Housing	Peso Weight (kg)	
	d	h	a	e	b	S <sub>1</sub>	S <sub>2</sub>	g	w	t	B <sub>1</sub>		n	Dinamico C Dynamic C				Statico C <sub>0</sub> Static C <sub>0</sub>
UCP201 UCP201-8	12 3/4	30,2 1 1/16	127 5	95 3 3/4	38 1 1/2	13 1/2	19 3/4	14 9/16	62 2 1/16	44,5 1 3/4	31 1,2205	12,7 0,500	M10 3/8	12 200	6 350	UC201 UC201-8	P203	0,69 0,69
UCP202 UCP202-9 UCP202-10	15 9/16	30,2 1 1/16	127 5	95 3 3/4	38 1 1/2	13 1/2	19 3/4	14 9/16	62 2 1/16	44,5 1 3/4	31 1,2205	12,7 0,500	M10 3/8	12 200	6 350	UC202 UC202-9 UC202-10	P203	0,69 0,69 0,69
UCP203 UCP203-11	17 1 1/4	30,2 1 1/16	127 5	95 3 3/4	38 1 1/2	13 1/2	19 3/4	14 9/16	62 2 1/16	44,5 1 3/4	31 1,2205	12,7 0,500	M10 3/8	12 200	6 350	UC203 UC203-11	P203	0,68 0,67
UCP204 UCP204-12	20 3/4	33,3 1 1/16	127 5	95 3 3/4	38 1 1/2	13 1/2	19 3/4	14 9/16	65 2 1/16	44,5 1 3/4	31 1,2205	12,7 0,500	M10 3/8	12 200	6 350	UC204 UC204-12	P204	0,66 0,66
UCP205 UCP205-13 UCP205-14 UCP205-15 UCP205-16	25 1 3/16 7/8 1 1/16 1	36,5 1 1/16	140 5 1/2	105 4 1/8	38 1 1/2	13 1/2	19 3/4	15 1 1/2	71 2 29/32	48 1 57/64	34,1 1,3425	14,3 0,563	M10 3/8	13 300	7 500	UC205 UC205-13 UC205-14 UC205-15 UC205-16	P205	0,81 0,85 0,83 0,82 0,81
UCP206 UCP206-17 UCP206-18 UCP206-19 UCP206-20	30 1 1/16 1 1/8 1 3/16 1 1/4	42,9 1 1/16	165 6 1/2	121 4 3/4	48 1 7/8	17 3/4	20 2 5/32	17 2 1/32	84 3 1/16	53 2 5/16	38,1 1,5000	15,9 0,626	M14 1/2	18 600	10 800	UC206 UC206-17 UC206-18 UC206-19 UC206-20	P206	1,24 1,27 1,26 1,24 1,23
UCP207 UCP207-20 UCP207-21 UCP207-22 UCP207-23	35 1 1/4 1 1/8 1 3/8 1 7/16	47,6 1 7/8	167 6 5/8	127 5	48 1 7/8	17 3/4	20 2 5/32	18 4 5/16	93 3 21/32	59,5 2 11/32	42,9 1,6890	17,5 0,689	M14 1/2	24 500	14 600	UC207 UC207-20 UC207-21 UC207-22 UC207-23	P207	1,58 1,64 1,61 1,58 1,55
UCP208 UCP208-24 UCP208-25	40 1 1/2 1 9/16	49,2 1 15/16	184 7 1/4	137 5 13/32	54 2 1/8	17 3/4	20 2 5/32	18 4 5/16	100 3 15/16	69 2 23/32	49,2 1,9370	19 0,748	M14 1/2	27 700	17 000	UC208 UC208-24 UC208-25	P208	1,89 1,93 1,90
UCP209 UCP209-26 UCP209-27 UCP209-28	45 1 5/8 1 11/16 1 3/4	54,0 2 1/8	190 7 13/32	146 5 3/4	54 2 1/8	17 3/4	20 2 5/32	20 2 5/32	106 4 11/16	69 2 23/32	49,2 1,9370	19 0,748	M14 1/2	31 000	19 500	UC209 UC209-26 UC209-27 UC209-28	P209	2,14 2,24 2,20 2,14
UCP210 UCP210-29 UCP210-30 UCP210-31 UCP210-32	50 1 13/16 1 7/8 1 15/16 2	57,2 2 1/4	206 8 1/8	159 6 1/4	60 2 3/8	20 2 5/32	23 2 9/32	21 5 3/16	113 4 29/64	74,5 2 15/16	51,6 2,0315	19 0,748	M16 5/8	33 500	22 500	UC210 UC210-29 UC210-30 UC210-31 UC210-32	P210	2,66 2,78 2,73 2,68 2,64
UCP211 UCP211-32 UCP211-33 UCP211-34 UCP211-35	55 2 2 1/16 2 1/8 2 3/16	63,5 2 1/2	219 8 5/8	171 6 47/64	60 2 3/8	20 2 5/32	23 2 9/32	23 2 9/32	125 4 59/64	76 3	55,6 2,1890	22,2 0,874	M16 5/8	41 500	28 000	UC211 UC211-32 UC211-33 UC211-34 UC211-35	P211	3,31 3,46 3,40 3,35 3,29
UCP212 UCP212-36 UCP212-37 UCP212-38 UCP212-39	60 2 1/4 2 5/16 2 3/8 2 1/16	69,8 2 3/4	241 9 1/2	184 7 1/4	70 2 3/4	20 2 5/32	23 2 9/32	25 2 5/16	138 5 1/16	89 3 1/2	65,1 2,5630	25,4 1,000	M16 5/8	50 000	34 500	UC212 UC212-36 UC212-37 UC212-38 UC212-39	P212	4,90 5,03 4,95 4,88 1,81
UCP213 UCP213-40 UCP213-41	65 2 1/2 2 9/16	76,2 3	265 10 11/16	203 8	70 2 3/4	25 2 5/16	28 1 1/2	27 1 1/16	150 5 29/32	89 3 1/2	65,1 2,5630	25,4 1,000	M20 3/4	54 700	38 000	UC213 UC213-40 UC213-41	P213	5,15 5,24 5,15
UCP214 UCP214-42 UCP214-43 UCP214-44	70 2 3/8 2 11/16 2 3/4	79,4 3 1/8	266 10 13/32	210 8 17/64	72 2 27/32	25 2 5/16	28 1 1/2	27 1 1/16	156 6 9/16	- -	74,6 2,9370	30,2 1,189	M20 3/4	59 000	42 000	UC214 UC214-42 UC214-43 UC214-44	P214	6,20 6,41 6,31 6,21
UCP215 UCP215-45 UCP215-46 UCP215-47 UCP215-48	75 2 13/16 2 7/8 2 11/16 3	82,6 3 1/4	275 10 53/64	217 8 35/64	74 2 29/32	25 2 5/16	28 1 1/2	28 1 1/2	162 6 3/8	- -	77,8 3,0630	33,3 1,311	M20 3/4	63 000	47 000	UC215 UC215-45 UC215-46 UC215-47 UC215-48	P215	7,16 7,41 7,30 7,19 7,07
UCP216 UCP216-49 UCP216-50 UCP216-51	80 3 1/16 3 1/8 3 3/16	88,9 3 1/2	292 11 1/2	232 9 1/8	78 3 1/16	25 2 5/16	28 1 1/2	30 1 1/16	174 6 27/32	- -	82,6 3,2520	33,3 1,311	M20 3/4	69 000	51 000	UC216 UC216-49 UC216-50 UC216-51	P216	8,10 8,28 8,15 8,02
UCP217 UCP217-52 UCP217-53 UCP217-55	85 3 1/4 3 5/16 3 1/16	95,2 3 3/4	310 12 13/64	247 9 23/32	83 3 17/64	25 2 5/16	28 1 1/2	32 1 1/4	185 7 9/32	- -	85,7 3,3740	34,1 1,343	M20 3/4	80 000	61 000	UC217 UC217-52 UC217-53 UC217-55	P217	9,81 10,03 9,89 9,60
UCP218 UCP218-56	90 3 1/2	101,6 4	327 12 7/8	262 10 9/16	88 3 9/32	27 1 1/16	30 1 1/2	33 1 19/64	198 7 51/64	- -	96 3,7795	39,7 1,5630	M22 7/8	91 200	68 000	UC218 UC218-56	P218	11,96 12,07

Disponibile in acciaio inox Supporto: AISI 304 - Cuscinetto: AISI 440C  
Disponibile su richiesta con cuscinetto SA (SAP.)

KDF

Available stainless steel Housing: AISI 304 - Bearing: AISI 440C  
Available under request with SA bearing (SAP.)