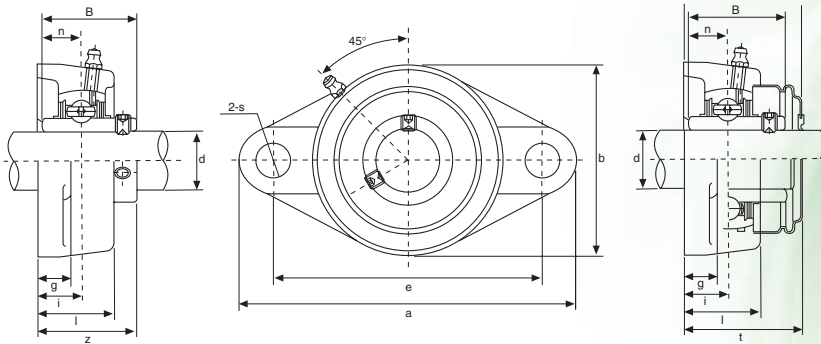




# SUPPORTI A FLANGIA OVALE OVAL FLANGE UNITS

# KDF®

## UCFL2 Serie normale Normal Series



Tipo Type	Dimensioni mm/pollici Dimensions mm/inch											Bull. fiss. Bolt Size mm/inch	Coefficienti di carico (N) Load ratings (N)		Cuscinetto Bearing	Supporto Housing	Peso Weight (kg)	
	d	a	e	i	g	l	s	b	z	t	B		n	Dinamico C Dynamic C				Statico C <sub>0</sub> Static C <sub>0</sub>
UCFL201 UCFL201-8	12 3/4	113 4 1/16	90 3 5/8	15 19/32	11 7/16	25,5 1	12 15/32	60 2 3/8	33,3 1 3/16	37,5 1 3/8	31 1,2205	12,7 0,500	M10 3/8	12 200	6 350	UC201 UC201-8	FL204	0,45 0,44
UCFL202 UCFL202-9 UCFL202-10	15 9/16 5/8	113 4 1/16	90 3 5/8	15 19/32	11 7/16	25,5 1	12 15/32	60 2 3/8	33,3 1 3/16	37,5 1 3/8	31 1,2205	12,7 0,500	M10 3/8	12 200	6 350	UC202 UC202-9 UC202-10	FL204	0,44 0,44 0,44
UCFL203 UCFL203-11	17 1 1/16	113 4 1/16	90 3 5/8	15 19/32	11 7/16	25,5 1	12 15/32	60 2 3/8	33,3 1 3/16	37,5 1 3/8	31 1,2205	12,7 0,500	M10 3/8	12 200	6 350	UC203 UC203-11	FL204	0,43 0,42
UCFL204 UCFL204-12	20 3/4	113 4 1/16	90 3 5/8	15 19/32	11 7/16	25,5 1	12 15/32	60 2 3/8	33,3 1 3/16	37,5 1 3/8	31 1,2205	12,7 0,500	M10 3/8	12 200	6 350	UC204 UC204-12	FL204	0,41 0,41
UCFL205 UCFL205-13 UCFL205-14 UCFL205-15 UCFL205-16	25 1 9/16 7/8 15/16 1	130 5 1/8	99 3 5/8	16 5/8	13 1/2	27 1 1/16	16 5/8	68 2 11/16	35,8 1 1/2	40 1 3/4	34,1 1,3425	14,3 0,563	M14 1/2	13 300	7 500	UC205 UC205-13 UC205-14 UC205-15 UC205-16	FL205	0,58 0,62 0,61 0,59 0,58
UCFL206 UCFL206-17 UCFL206-18 UCFL206-19 UCFL206-20	30 1 1/4 1 1/8 1 1/8 1 1/4	148 5 7/8	117 4 3/8	18 4 5/8	13 1/2	31 1 7/8	16 5/8	80 3 1/2	40,2 1 9/16	44,5 1 3/4	38,1 1,5000	15,9 0,626	M14 1/2	18 600	10 800	UC206 UC206-17 UC206-18 UC206-19 UC206-20	FL206	0,86 0,89 0,88 0,86 0,85
UCFL207 UCFL207-20 UCFL207-21 UCFL207-22 UCFL207-23	35 1 1/4 1 5/8 1 3/8 1 7/8	161 6 1/2	130 5 1/8	19 3/4	14 3 5/8	34 1 1/2	16 5/8	90 3 3/8	44,4 1 3/4	48,5 1 29/32	42,9 1,6890	17,5 0,689	M14 1/2	24 500	14 600	UC207 UC207-20 UC207-21 UC207-22 UC207-23	FL207	1,08 1,14 1,11 1,08 1,05
UCFL208 UCFL208-24 UCFL208-25	40 1 1/2 1 9/16	175 6 7/8	144 5 49/64	21 5 3/8	14 3 5/8	36 1 13/32	16 5/8	100 3 15/16	51,2 2 1/4	55,5 2 1/8	49,2 1,9370	19 0,748	M14 1/2	27 700	17 000	UC208 UC208-24 UC208-25	FL208	1,44 1,48 1,45
UCFL209 UCFL209-26 UCFL209-27 UCFL209-28	45 1 3/8 1 11/16 1 3/4	188 7 1/2	148 5 59/64	22 5 5/8	15 1 9/32	38 1 1/2	19 3/4	108 4 1/4	52,2 2 1/16	56,5 2 1/8	49,2 1,9370	19 0,748	M16 5/8	31 000	19 500	UC209 UC209-26 UC209-27 UC209-28	FL209	1,74 1,84 1,80 1,76
UCFL210 UCFL210-29 UCFL210-30 UCFL210-31 UCFL210-32	50 1 13/16 1 7/8 1 15/16 2	197 7 3/4	157 6 3/16	22 5 5/8	15 1 9/32	40 1 37/64	19 3/4	115 4 17/32	54,6 2 1/8	59,5 2 11/32	51,6 2,0315	19 0,748	M16 5/8	33 500	22 500	UC210 UC210-29 UC210-30 UC210-31 UC210-32	FL210	2,10 2,22 2,17 2,12 2,08
UCFL211 UCFL211-32 UCFL211-33 UCFL211-34 UCFL211-35	55 2 2 1/16 2 1/8 2 1/16	224 8 13/16	184 7 1/4	25 6 3/8	18 2 3/8	43 1 11/16	19 3/4	130 5 1/8	58,4 2 3/16	63 2 15/32	55,6 2,1890	22,2 0,874	M16 5/8	41 500	28 000	UC211 UC211-32 UC211-33 UC211-34 UC211-35	FL211	2,91 3,06 3,00 2,95 2,89
UCFL212 UCFL212-36 UCFL212-37 UCFL212-38 UCFL212-39	60 2 1/4 2 5/16 2 3/8 2 1/16	250 9 27/32	202 7 61/64	29 1 9/16	18 2 3/8	48 1 7/8	23 2 9/32	140 5 1/2	68,7 2 29/32	73,5 2 57/64	65,1 2,5630	25,4 1,000	M20 3/4	50 000	34 500	UC212 UC212-36 UC212-37 UC212-38 UC212-39	FL212	3,74 3,87 3,79 3,72 3,65
UCFL213 UCFL213-40 UCFL213-41	65 2 1/2 2 9/16	258 10 5/8	210 8 17/64	30 1 3/16	22 7/8	50 1 31/32	23 2 9/32	155 6 3/8	69,7 2 3/4	74,5 2 15/16	65,1 2,5630	25,4 1,000	M20 3/4	54 700	38 000	UC213 UC213-40 UC213-41	FL213	4,57 4,66 4,57
UCFL214 UCFL214-42 UCFL214-43 UCFL214-44	70 2 5/8 2 11/16 2 3/4	265 10 7/16	216 8 1/2	31 1 7/8	22 7/8	54 2 1/8	23 2 9/32	160 6 5/16	75,4 2 31/32	- -	74,6 2,9370	30,2 1,189	M20 3/4	59 000	42 000	UC214 UC214-42 UC214-43 UC214-44	FL214	5,11 5,32 5,22 5,12
UCFL215 UCFL215-45 UCFL215-46 UCFL215-47 UCFL215-48	75 2 7/8 2 7/8 2 15/16 3	275 10 13/16	225 8 59/64	34 1 11/32	22 7/8	56 2 1/2	23 2 9/32	165 6 1/2	78,5 3 3/32	- -	77,8 3,0630	33,3 1,311	M20 3/4	63 000	47 000	UC215 UC215-45 UC215-46 UC215-47 UC215-48	FL215	5,37 5,62 5,51 5,40 5,28
UCFL216 UCFL216-49 UCFL216-50 UCFL216-51	80 3 1/16 3 1/8 3 1/16	290 11 13/32	233 9 11/64	34 1 11/32	22 7/8	58 2 9/32	25 2 9/32	180 6 3/4	83,3 3 1/8	- -	82,6 3,2520	33,3 1,311	M22 7/8	69 000	51 000	UC216 UC216-49 UC216-50 UC216-51	FL216	7,20 7,38 7,25 7,12
UCFL217 UCFL217-52 UCFL217-53 UCFL217-55	85 3 1/4 3 5/16 3 7/16	305 12	248 9 49/64	36 1 27/64	24 1 5/16	63 2 15/32	25 2 9/32	190 6 3/4	87,6 3 1/8	- -	85,7 3,3740	34,1 1,343	M22 7/8	80 000	61 000	UC217 UC217-52 UC217-53 UC217-55	FL217	8,61 8,83 8,69 8,40
UCFL218 UCFL218-56	90 3 1/2	320 12 5/8	265 10 7/16	40 1 37/64	24 1 5/16	68 2 11/16	25 2 9/32	205 6 3/4	96,3 3 39/32	- -	96 3,7795	39,7 1,5630	M22 7/8	91 200	68 000	UC218 UC218-56	FL218	10,51 10,62

Disponibile in acciaio inox Supporto: AISI 304 - Cuscinetto: AISI 440C  
Disponibile su richiesta con cuscinetto SA (SAFL)

KDF

17

Available stainless steel Housing: AISI 304 - Bearing: AISI 440C  
Available under request with SA bearing (SAFL)