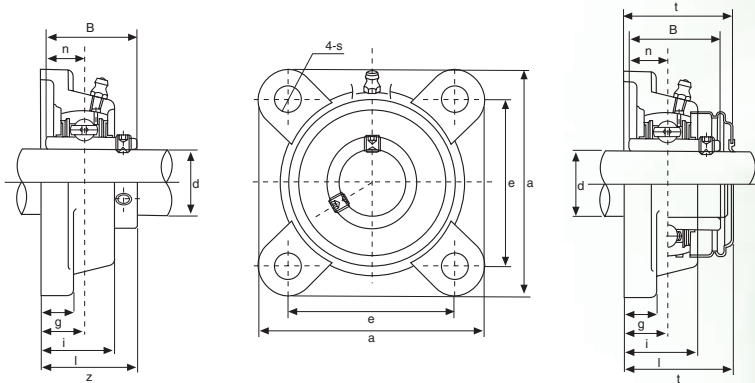




# SUPPORTI A FLANGIA QUADRA SQUARE FLANGE UNITS



## UCF2 Serie normale Normal Series



Tipo Type	Dimensioni mm/pollici Dimensions mm/inch											Bull. fiss. Bolt Size mm/inch	Coefficienti di carico (N) Load ratings (N)		Cuscinetto Bearing	Supporto Housing	Peso Weight (kg)
	d	a	e	i	g	l	s	z	t	B	n		Dinamico C Dynamic C	Statico C <sub>0</sub> Static C <sub>0</sub>			
UCF201 UCF201-8	12 3/4	86 3 3/8	64 2 33/64	15 19/32	12 15/32	25,5 1	12 15/32	33,3 1 1/16	37,5 1 31/64	31 1,2205	12,7 0,500	M10 3/8	12 200	6 350	UC201 UC201-8	F204	0,60 0,59
UCF202 UCF202-9 UCF202-10	15 9/16 5/8	86 3 3/8	64 2 33/64	15 19/32	12 15/32	25,5 1	12 15/32	33,3 1 1/16	37,5 1 31/64	31 1,2205	12,7 0,500	M10 3/8	12 200	6 350	UC202 UC202-9 UC202-10	F204	0,59 0,59 0,59
UCF203 UCF203-11	17 1 1/16	86 3 3/8	64 2 33/64	15 19/32	12 15/32	25,5 1	12 15/32	33,3 1 1/16	37,5 1 31/64	31 1,2205	12,7 0,500	M10 3/8	12 200	6 350	UC203 UC203-11	F204	0,58 0,57
UCF204 UCF204-12	20 3/4	86 3 3/8	64 2 33/64	15 19/32	12 15/32	25,5 1	12 15/32	33,3 1 1/16	37,5 1 31/64	31 1,2205	12,7 0,500	M10 3/8	12 200	6 350	UC204 UC204-12	F204	0,56 0,56
UCF205 UCF205-13 UCF205-14 UCF205-15 UCF205-16	25 1 9/16 7/8 1 1/16 1	95 3 3/4	70 2 3/4	16 5/8	14 35/64	27 1 1/16	12 15/32	35,8 1 13/32	40 1 1/16	34,1 1,3425	14,3 0,563	M10 3/8	13 300	7 500	UC205 UC205-13 UC205-14 UC205-15 UC205-16	F205	0,80 0,84 0,83 0,81 0,80
UCF206 UCF206-17 UCF206-18 UCF206-19 UCF206-20	30 1 1/16 1 1/8 1 3/16 1 1/4	108 4 1/4	83 3 17/64	18 45/64	14 35/64	31 1 7/32	12 15/32	40,2 1 19/32	44,5 1 3/4	38,1 1,5000	15,9 0,626	M10 3/8	18 600	10 800	UC206 UC206-17 UC206-18 UC206-19 UC206-20	F206	1,12 1,15 1,14 1,12 1,11
UCF207 UCF207-20 UCF207-21 UCF207-22 UCF207-23	35 1 1/4 1 9/16 1 3/8 1 7/16	117 4 39/64	92 3 5/8	19 3/4	16 5/8	34 1 11/32	14 35/64	44,4 1 3/4	48,5 1 29/32	42,9 1,6890	17,5 0,689	M12 7/16	24 500	14 600	UC207 UC207-20 UC207-21 UC207-22 UC207-23	F207	1,46 1,52 1,49 1,46 1,43
UCF208 UCF208-24 UCF208-25	40 1 1/2 1 9/16	130 5 1/8	102 4 1/64	21 53/64	16 5/8	36 1 27/64	16 5/8	51,2 2 1/64	55,5 2 3/16	49,2 1,9370	19 0,748	M14 1/2	27 700	17 000	UC208 UC208-24 UC208-25	F208	1,84 1,88 1,85
UCF209 UCF209-26 UCF209-27 UCF209-28	45 1 9/16 1 11/16 1 3/4	137 5 13/32	105 4 9/64	22 55/64	18 23/32	38 1 1/2	16 5/8	52,2 2 1/16	56,5 2 7/32	49,2 1,9370	19 0,748	M14 1/2	31 000	19 500	UC209 UC209-26 UC209-27 UC209-28	F209	2,15 2,25 2,21 2,17
UCF210 UCF210-29 UCF210-30 UCF210-31 UCF210-32	50 1 13/16 1 7/8 1 15/16 2	143 5 5/8	111 4 3/8	22 55/64	18 23/32	40 1 9/16	16 5/8	54,6 2 1/32	59,5 2 11/32	51,6 2,0315	19 0,748	M14 1/2	33 500	22 500	UC210 UC210-29 UC210-30 UC210-31 UC210-32	F210	2,42 2,54 2,49 2,44 2,40
UCF211 UCF211-32 UCF211-33 UCF211-34 UCF211-35	55 2 2 1/16 2 1/8 2 3/16	162 6 3/8	130 5 1/8	25 63/64	20 25/32	43 1 11/16	19 3/4	58,4 1 5/16	63 2 31/64	55,6 2,1890	22,2 0,874	M16 5/8	41 500	28 000	UC211 UC211-32 UC211-33 UC211-34 UC211-35	F211	3,31 3,46 3,40 3,35 3,29
UCF212 UCF212-36 UCF212-37 UCF212-38 UCF212-39	60 2 1/4 2 5/16 2 3/8 2 7/16	175 6 57/64	143 5 5/8	29 1 9/64	20 25/32	48 1 57/64	19 3/4	68,7 2 45/64	73,5 2 57/64	65,1 2,5630	25,4 1,000	M16 5/8	50 000	34 500	UC212 UC212-36 UC212-37 UC212-38 UC212-39	F212	4,28 4,41 4,33 4,26 4,19
UCF213 UCF213-40 UCF213-41	65 2 1/2 2 9/16	187 7 23/64	149 5 55/64	30 1 3/16	22 55/64	50 1 31/32	19 3/4	69,7 2 3/4	74,5 2 15/16	65,1 2,5630	25,4 1,000	M16 5/8	54 700	38 000	UC213 UC213-40 UC213-41	F213	4,99 5,08 4,99
UCF214 UCF214-42 UCF214-43 UCF214-44	70 2 5/8 2 11/16 2 3/4	193 7 19/32	152 5 63/64	31 1 7/32	22 55/64	54 2 1/8	19 3/4	75,4 2 31/32	-	74,6 2,9370	30,2 1,189	M16 5/8	59 000	42 000	UC214 UC214-42 UC214-43 UC214-44	F214	5,85 6,06 5,96 6,26 5,86
UCF215 UCF215-45 UCF215-46 UCF215-47 UCF215-48	75 2 13/16 2 7/8 2 15/16 3	200 7 7/8	159 6 17/64	34 1 11/32	22 55/64	56 2 7/32	19 3/4	78,5 3 3/32	-	77,8 3,0630	33,3 1,311	M16 5/8	63 000	47 000	UC215 UC215-45 UC215-46 UC215-47 UC215-48	F215	6,91 7,16 7,05 6,94 6,82
UCF216 UCF216-49 UCF216-50 UCF216-51	80 3 1/16 3 1/8 3 3/16	208 8 3/16	165 6 1/2	34 1 11/32	22 55/64	58 2 9/32	23 29/32	83,3 3 3/32	-	82,6 3,2520	33,3 1,311	M20 3/4	69 000	51 000	UC216 UC216-49 UC216-50 UC216-51	F216	7,50 7,68 7,55 7,42
UCF217 UCF217-52 UCF217-53 UCF217-55	85 3 1/4 3 3/16 3 7/16	220 8 21/32	175 6 57/64	36 1 27/64	24 1 5/16	63 2 15/32	23 29/32	87,6 3 7/16	-	85,7 3,3740	34,1 1,343	M20 3/4	80 000	61 000	UC217 UC217-52 UC217-53 UC217-55	F217	9,66 9,88 9,74 9,45
UCF218 UCF218-56	90 3 1/2	235 9 1/4	187 7 23/64	40 1 37/64	24 1 5/16	68 2 11/16	23 29/32	96,3 3 25/32	-	96 3,7795	39,7 1,5630	M20 3/4	91 200	68 000	UC218 UC218-56	F218	12,06 12,17

Disponibile in acciaio inox Supporto: AISI 304 - Cuscinetto: AISI 440C  
Disponibile su richiesta con cuscinetto SA (SAF.)

KDF

Available stainless steel Housing: AISI 304 - Bearing: AISI 440C  
Available under request with SA bearing (SAF.)